

A Pattern Language for Efficient, Predictable, and Scalable Dispatching Components

Irfan Pyarali and Carlos O’Ryan

{irfan,coryan}@cs.wustl.edu

Department of Computer Science, Washington University
St. Louis, MO 63130, USA

Douglas C. Schmidt

d.schmidt@vanderbilt.edu

Electrical Engineering & Computer Science Dept.
Vanderbilt University, Nashville, TN*

Abstract

In an increasing number of application domains, dispatching components are responsible for delivering upcalls to one or more application objects when events or requests arrive in a system. Implementing efficient, predictable, and scalable dispatching components is hard and implementing them for multi-threaded systems is even harder. In particular, dispatching components must be prepared to deliver upcalls to multiple objects, to handle recursive requests originated from application-provided upcalls, and often must collaborate with applications to control object life-cycles.

In our distributed object computing (DOC) middleware research, we have implemented many dispatching components that apply common solutions repeatedly to solve the challenges outlined above. Moreover, we have discovered that the forces constraining dispatching components often differ slightly, thereby requiring alternative solution strategies. This paper presents two contributions to the design and implementation of efficient, predictable, scalable, and flexible dispatching components. First, it shows how patterns can be applied to capture key design and performance characteristics of proven dispatching components. Second, it presents a pattern language that describes a series of solutions that resolve key dispatching challenges arising in various DOC middleware and applications for distributed real-time and embedded systems.

1 Introduction

Dispatching components are a core feature of many systems, such as distributed object computing (DOC) middleware. For instance, the dispatching components in a CORBA Object Request Broker (ORB) are responsible for delivering incoming client *events* or *requests* to other (1) ORB components and (2) the application-level objects that implement application-defined behavior. In general, dispatching components must

handle a variety of tasks, such as (1) dispatching multiple requests simultaneously, (2) handling recursive dispatches from within application-provided upcalls, (3) dispatching the same upcall to multiple objects efficiently, and (4) adding and removing objects in dispatching tables while upcalls are in progress.

This paper presents a pattern language used to develop efficient, predictable, and scalable dispatching components in a variety of application domains, an example of which is shown in Figure 1. These domains include the TAO Real-

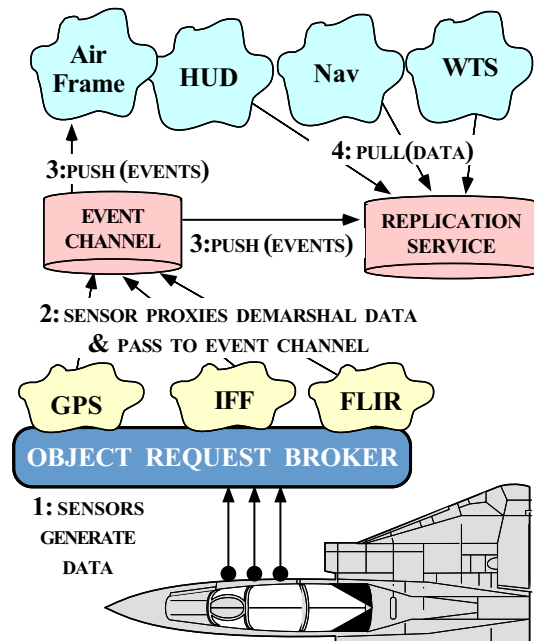


Figure 1: Multiple Dispatching Components in DOC Middleware

Time CORBA [1] ORB [2], real-time avionics mission computing with strict periodic deadline requirements [3, 4, 5], and distributed interactive simulations with high scalability requirements [6, 7]. In addition, various dispatching-oriented framework components, such as Reactors and Proactors [8],

*This work was funded in part by Boeing, NSF grant NCR-9628218, DARPA contract 9701516, and Siemens CT.

Observers [9], and Model-View-Controllers [10] are implemented using these patterns.

The remainder of this paper is organized as follows: Section 2 describes the context in which dispatching components are used and identifies common requirements for several typical use cases; Section 3 presents the pattern language used to implement efficient, predictable, scalable, and flexible dispatching components for both single and multiple targets; and Section 4 presents concluding remarks.

2 An Overview of Dispatching Components and Pattern Languages

This section summarizes the functionality and requirements of two common use cases that illustrate the challenges associated with developing dispatching components. The first example is the Object Adapter [11] component in a standard CORBA [12] ORB. The second example is a event channel in a standard CORBA Event Service [13] or Notification Service [14].

Object Adapter dispatching components. The core responsibilities of a CORBA Object Adapter include (1) generating identifiers for objects that are exported to clients and (2) mapping subsequent client requests to the appropriate object implementations, which CORBA calls *servants*. Figure 2 illustrates the general structure and interactions of a CORBA Object Adapter.

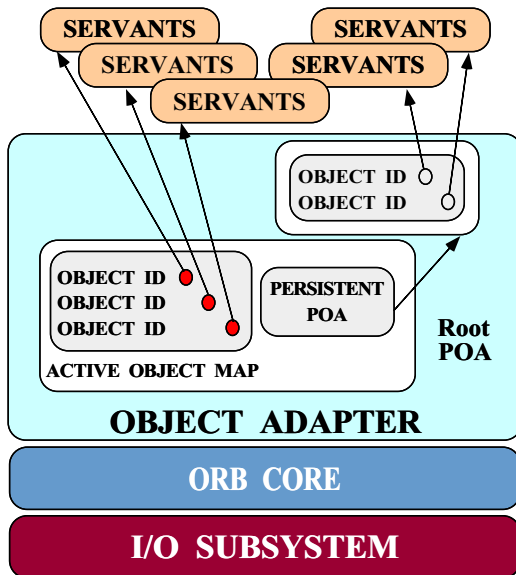


Figure 2: Object Adapter Structure and Interactions

In addition to its core responsibilities, a CORBA Object Adapter must handle the following situations correctly, robustly, and efficiently:

- **Non-existent objects.** Clients may invoke requests on “stale” identifiers, *i.e.*, on objects that have been deactivated from the Object Adapter. In this case, the Object Adapter should not use the stale object because it may have been deleted by the application. Instead, it must propagate an appropriate exception back to the client.

- **Unusual object activation/deactivation use cases.** Object Adapters are responsible for activating and deactivating objects on-demand. Moreover, server application objects can activate or deactivate other objects in response to client requests. An object can even deactivate itself while in its own upcall, *e.g.*, if the request is a “shut yourself down” message.

- **Multi-threading hazards.** Implementing an Object Adapter that works correctly and efficiently in a multi-threaded environment is hard. For instance, there are many opportunities for deadlock, unduly reduced concurrency, and priority inversion that may arise from recursive calls to an Object Adapter while it is dispatching requests. Likewise, excessive synchronization overhead may arise from locking performed on a dispatching table.

Event channel dispatching components. The CORBA Event and Notification Services define participants that provide a more asynchronous and decoupled type of communication service that alleviates some restrictions [15] with the standard synchronous CORBA ORB operation invocation models. As shown in Figure 3 *suppliers* generate events and *consumers*

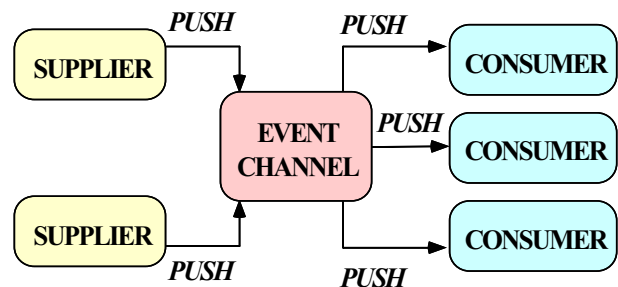


Figure 3: Participants in the COS Event and Notification Service Architecture

process events received from suppliers. This figure also illustrates the *event channel*, which is a mediator [9] that dispatches events to consumers on behalf of suppliers. By using an event channel, a supplier can deliver events to one or more consumers without requiring any of these participants to know about each other explicitly.

To perform its core responsibilities, a CORBA event channel must address the following aspects:

- **Dynamic consumer subscriptions.** A robust implementation of an event channel must support the addition of

new consumers while dispatching is in progress. Likewise, it must support the removal of existing consumers before all active dispatching operations complete. In multi-threaded environments, it is possible for multiple threads (potentially running at different priorities) to iterate over the dispatching table concurrently. Some consumers may trigger further updates, which also must be handled properly and efficiently.

Naïve implementations, such as copying the complete set of consumers before starting the iteration, may fail if one consumer is destroyed as a side-effect of the upcall on another consumer. In multi-threaded implementations, this problem is exacerbated because separate threads may remove and destroy consumers in the table concurrently.

- **Variable dispatching times.** Dispatching events requires an event channel to iterate over its set of consumers. However, iterators make it even harder to provide predictable implementations because the number of consumers may vary. Some type of synchronization is therefore required during the dispatching process.

Implementations of the Observer pattern [9] must also contend with problems similar to those faced in the CORBA Event Service. The Observer pattern propagates updates emanating from one or more suppliers to multiple consumers, *i.e.*, observers. An implementation of this pattern must iterate over the set of consumers and disseminate the update to each one of them. As with the event channel, subscriptions may change dynamically while updates are being dispatched.

Historically, a variety of *ad hoc* strategies have emerged to address the dispatching challenges outlined above. No one strategy is optimal for all application domains or use cases, however. For instance, real-time implementations may impose too much overhead for high-performance, “best-effort” systems. Likewise, implementations tailored for multi-threading may impose excessive locking overhead for single-threaded reactive systems. In addition, strategies that support recursive access can incur excessive overhead if all upcalls are dispatched to separate threads or remote servers. Thus, what is required are strategies and methodologies that systematically capture the range of possible solutions that arise in the design space of dispatching components. One family of these strategies is described in the Section 3.

3 A Pattern Language for Dispatching Components

Certain patterns, such as Strategized Locking [8] or Strategy [9] address some of the challenges associated with developing efficient, predictable, scalable, and flexible dispatching components. In other cases, however, the relationships and collaborations between dispatching components require more

specialized solutions. Moreover, as noted in Section 2, no single pattern or strategy alone resolves all the forces faced by developers of complex dispatching components. Therefore, this section presents *patterns* that addresses the challenges for dispatching components outlined in Section 2.

A pattern is a recurring solution to a standard problem within a particular context [9]. When related patterns are woven together they form a “language” [16] that provides a process for the orderly resolution of software development problems. Pattern languages are not formal languages or programming languages, but rather a collection of interrelated patterns that provide a vocabulary for solving particular problems [10]. Both patterns and pattern languages help developers communicate architectural knowledge, help developers learn a new design paradigm or architectural style, and help new developers avoid traps and pitfalls that have traditionally been learned only by costly experience.

Each pattern in our dispatching mechanism pattern language resolves a particular set of forces, with varying consequences on performance, functionality, and flexibility. In general, simpler solutions result in better performance, but do not resolve all the forces that more complex dispatching components can handle. Application developers should not disregard simpler patterns, however. Instead, they should apply the patterns that are most appropriate for the problem at hand, balancing the need to support advanced features with the performance and flexibility requirements of their applications.

3.1 Dispatching to a Single Object

This subsection focuses on patterns for components where events or requests are dispatched to a single target object. Section 3.2 then describes patterns that are suitable for dispatching to multiple objects. The initial patterns are relatively straightforward and are intended for less complex systems. The latter patterns are more intricate and address more complex requirements for efficiency, predictability, scalability, and flexibility.

3.1.1 Serialized Dispatching

Context. Dispatching components are vital in DOC middleware and applications. They typically contain a collection of target objects that reside in one or more dispatching tables. These tables are used to select appropriate objects based upon identifiers contained in incoming requests. For example, as outlined in Section 2, the CORBA architecture [12] defines an Object Adapter [11] that (1) maps client requests to objects supplied by server applications and (2) helps dispatch operations on server objects.

Problem. Multi-threaded applications must serialize access to their dispatching table to prevent data corruption.

Forces. Serialization mechanisms, such as mutexes or semaphores, should be used carefully to avoid excessive locking, priority inversion, and non-determinism. Distributed real-time and embedded systems can maximize parallelism by minimizing serialization. However, application correctness cannot be sacrificed to improve performance, *e.g.*, a multi-threaded application should be able to add and remove objects registered with the dispatching table efficiently during run-time without corrupting the dispatching table.

Solution. Serialize dispatching of requests by using the Monitor Object pattern [8] where a single monitor lock serializes access to the entire dispatching table, as shown in Figure 4. The monitor lock is held both while (1) searching the

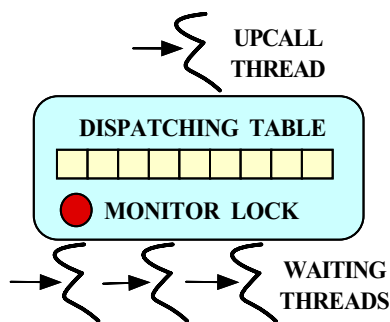


Figure 4: Serialized Dispatching with a Monitor Lock

table to locate the object and (2) dispatching the appropriate operation call on the application-provided code. In addition, the same monitor lock is used when inserting and removing entries from the table.

Consequences. A regular monitor lock is sufficient to achieve the level of serialization necessary for this dispatching component. Serialization overhead is minimal since only one set of acquire/release calls are made on the lock during an upcall. Thus, this design is appropriate when there is little or no contention for the dispatching table or when upcalls to application code are short-lived.

A simple protocol can control the life-cycle of objects registered with the dispatching component. For instance, an object cannot be destroyed while it is still registered in the dispatching table. Since the table's monitor lock is used both for dispatching and modifying the table, other threads cannot delete an object that is in the midst of being dispatched.

Note, however, that this pattern may be inadequate for systems with stringent real-time requirements. In particular, the monitor lock is held during the execution of application code, which makes it hard for the dispatching component to predict how long it will take to release the monitor lock. Likewise, this pattern does not work well when there is significant contention for the dispatching table. For instance, if two requests arrive simultaneously for different target objects in the same

dispatching table, only one of them can be dispatched at a time.

3.1.2 Serialized Dispatching with a Recursive Mutex

Context. Assume the dispatching component outlined in Section 3.1.1 is being implemented in multi-threaded applications.

Problem. Monitor locks are not recursive on many OS platforms. When using non-recursive locks, attempts to query or modify the dispatch table while holding the lock will cause deadlock. Thus application code cannot query or modify the dispatch table since it is called while the lock is held.

Forces. A monitor lock cannot be released before dispatching the application upcall because another thread could remove and destroy the object while it is still being dispatched.

Solution. Serialize dispatching of requests by using a *recursive* monitor lock [17]. A recursive lock allows the calling thread to re-acquire the lock if that thread already owns it. The structure of this solution is identical to the one shown in Figure 4, except that a recursive monitor lock is used in lieu of a non-recursive lock.

Consequences. As before, the monitor lock serializes concurrent access to avoid corruption of the dispatching table. Unlike the Serialized Dispatching pattern outlined in Section 3.1.1, however, application upcalls can modify the dispatching table or dispatch new upcalls.

Unfortunately, this solution does not resolve the concurrency and predictability problems since the monitor is held through the upcall. In particular, it is (1) still hard for the dispatching component to predict how long the monitor lock must be handle and (2) the component does not allow multiple requests to be dispatched simultaneously. Moreover, recursive monitor locks are usually more expensive than their non-recursive counterparts [18].

3.1.3 Dispatching with a Readers/Writer Lock

Context. In complex DOC middleware and applications, events and requests often occur simultaneously. Unless application upcalls are sharing resources that must be serialized, these operations should be dispatched and executed concurrently. Even if hardware support is not available for parallel execution, it may be possible to execute events and requests concurrently by overlapping CPU-intensive operations with I/O-intensive operations.

Problem. Serialized Dispatching patterns are inefficient for implementing concurrent dispatching upcalls since they do not distinguish between read and write operations, and thus serialize all operations on the dispatching table.

Forces. Although dispatching table modifications typically require exclusive access, dispatching operations do not modify the table. However, the dispatching component must ensure that the table is not modified while a thread is performing a lookup operation on it.

Solution. Use a readers/writer lock to serialize access to the dispatching table. The critical path, *i.e.*, looking up the target object and invoking an operation on it, does not modify the table. Therefore, a `read` lock will suffice for this path. Operations that modify the dispatching table, such as adding or removing objects from it, require exclusive access, however. Therefore, a `write` lock is required for these operations. Figure 5 illustrates the structure of this solution, where multiple reader threads can dispatch operations concurrently, whereas writer threads are serialized.

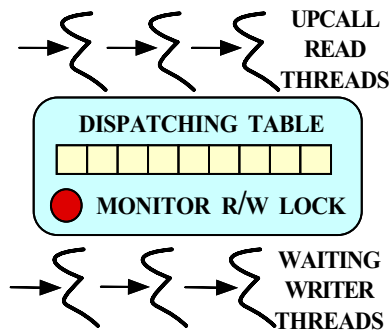


Figure 5: Dispatching with a Readers/Writer Lock

Consequences. Readers/writer locks allow multiple readers to access a shared resource simultaneously, while only allowing one writer to access the shared resource at a time. Thus, the solution described above allows multiple concurrent dispatch calls.

Some DOC middleware executes the upcall in a separate thread in the same process or on a remote object. Other middleware executes the upcall in the same thread after releasing the `read` lock. Thus, this readers/writer locking pattern [17] can be applied to such systems without any risk of deadlocks. However, this solution is not applicable to systems that execute an upcall while holding the `read` lock. In that case, changing the table from within an upcall would require upgrading the readers/writer lock from a `read` lock to a `write` lock. Unfortunately, standard readers/writer lock implementations, such as Solaris/UI threads, do not support upgradable locks. Even when this support exists, lock upgrades will not succeed if multiple threads require simultaneous upgrades.

Note that applications using readers/writer locks become responsible for providing appropriate serialization of their data structures since they cannot rely on the dispatching component itself to serialize upcalls. As with recursive locks, the

serialization overhead of readers/writer locks may be higher compared to regular locks [18] when little or no contention occurs on the dispatching table.

Implementors of this pattern must analyze their dispatching component carefully to identify operations that require only a `read` lock versus those that require a `write` lock. For example, the CORBA Object Adapter supports activation of objects within upcalls. Thus, when a dispatch lookup is initiated, the Object Adapter cannot be certain whether the upcall will modify the dispatching table. Note that acquiring a `write` lock *a priori* is self-defeating since it may impede concurrent access to the table unnecessarily.

Finally, this solution does not resolve the predictability problem. In particular, unbounded priority inversion may occur when high-priority writer threads are suspended waiting for low-priority reader threads to complete dispatching upcalls.

3.1.4 Reference Counting During Dispatch

Context. As before, a multi-threaded system is using the dispatching component. However, assume the system has stringent QoS requirements that demand predictable and efficient behavior from the dispatching component.

Problem. To be predictable, the system must eliminate all unbounded priority inversions. In addition, system efficiency should be maximized by reducing bounded priority inversions.

Forces. During an upcall, an application can invoke operations that modify the dispatching table. In addition, the dispatching component must be efficient and scalable, maximizing concurrency whenever possible.

Solution. Reference count the entries of the dispatching table during dispatch by using a single lock to serialize (1) changes to the referenced count and (2) modifications to the table. As shown in Figure 6, the lock is acquired during the

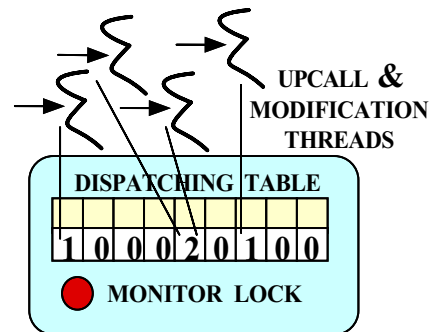


Figure 6: Dispatching with a Reference Counted Table Entries

upcall, the appropriate entry is located, its reference count increased, and the lock is released before performing the ap-

plication upcall. Once the upcall completes, the lock is re-acquired, the reference count on the entry is decremented, and the lock is released.

As long as the reference count on the entry remains greater than zero, the entry is not removed and the corresponding object is not destroyed. Concurrency hazards are avoided, therefore, because the reference count is always greater than zero while a thread is processing an upcall for that entry. If an object is “logically” removed from the dispatching table, its entry is not “physically” removed immediately since outstanding upcalls may still be pending. Instead, the thread that brings the reference count to zero is responsible for deleting this “partially” removed entry from the table.

In programming languages, such as C and C++, that lack built-in garbage collection, the dispatching table must collaborate with the application to control the objects’ life-cycle. In this case, objects are usually reference counted¹. For example, the reference count is usually incremented when the object is registered with the dispatching table and decremented when the object is removed from the dispatching table.

Consequences. This pattern supports multiple simultaneous upcalls since the lock is not held during the upcall. For the same reason, this model also supports recursive calls. An important benefit of this pattern is that the level of priority inversion does not depend on the duration of the upcall. In fact, priority inversion can be calculated as a function of the time needed to search the dispatching table. Our previous research [19] has shown that very low and bounded search times can be achieved using techniques like active demultiplexing and perfect hashing. Implementations that use these techniques in conjunction with the serialization pattern described here can achieve predictable dispatching with bounded priority inversions.

A disadvantage of this pattern, however, is that it acquires and releases the lock *twice* per upcall. In practice, this usually does not exceed the cost of a single recursive monitor lock or a single readers/writer monitor lock [18]. This solution does, however, warrant extra care in the following special circumstances:

- *Accessing “logically deleted” objects* – A new request arrives for an object that has been logically, but not physically removed from the dispatching table. Additional state can be used to record that this object has been removed and should therefore receive no new requests.
- *Activating “partially removed” objects* – An implementation must handle the case where an object has been partially removed (as described above) and a client application requests a new object to be inserted for the same

¹Note that this reference count is different from the per-entry reference count described above.

identifier as the partially removed object. Typically, the new insertion must block until upcalls on the old object complete and the old object is physically removed from the dispatching table.

Table 1 summarizes the different patterns for dispatching to a single object and compares their relative strengths and weaknesses.

Pattern	Times lock acquired	Nested upcalls	Priority Inversion	Appropriate when
Serialized dispatching	1	No	Unbounded	Little or no contention Short-lived upcalls
Recursive mutex	1	Yes	Unbounded	Same as above
Readers / Writer lock	1	Limited	Unbounded	Concurrent upcalls
Reference counting	2	Yes	Bounded	Predictable behavior

Table 1: Summary of Dispatching to Single Object

3.2 Dispatching to Multiple Objects

This section focuses on patterns for dispatching components where events or requests are delivered to multiple target objects. Sending the same event to multiple target objects adds another level of complexity to dispatching component implementations. For instance, an implementation may need to iterate over the collection of potential targets and invoke upcalls on a subset of the objects in the dispatching table.

In many use cases, modifications to the collection invalidate any iterators for that collection [20], even for single-threaded configurations. In general, an implementation must ensure that no modifications are performed while a thread is iterating over the dispatching table. For distributed real-time and embedded systems, moreover, simple serialization components, such as conventional mutexes, can result in unbounded priority inversion if higher priority threads wait for lower priority threads to finish iterating.

Interestingly, the most sophisticated pattern for dispatching to a single target object (which was presented in Section 3.1.4) is not suitable for dispatching to multiple targets. In particular, its lock would have to be acquired for the entire iteration and upcall cycle, thereby worsening priority inversion problems. If the lock was released, it could lead to an inconsistent view of the dispatching table. Below, we present a successive series of patterns that address these problems.

3.2.1 Copy-then-Dispatch

Context. An event or request must be dispatched to multiple objects concurrently.

Problem. The challenge is how to optimize throughput while minimizing contention and serialization overhead.

Forces. Modifications to the dispatching table are common during the dispatch loop. The dispatching table does not provide robust iterators [20] or the iterators are not thread-safe. There are no stringent real-time requirements.

Solution. Make a copy of the entire dispatching table before initiating the iteration, as shown in Figure 7. Although some

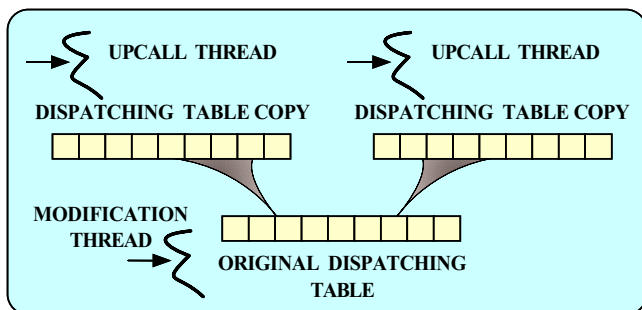


Figure 7: Copy-then-Dispatch

serialization mechanism must be used during the copy, its cost is relatively low since it is outside the critical path. As an optimization, the dispatching component can acquire the lock, copy only the target objects that are interested in the event, and then release the lock. At this point, the dispatching component iterates over the smaller set of interested target objects and dispatches upcalls.

To apply this pattern, applications must collaborate with the dispatching component to control object life-cycle. For example, an object cannot be destroyed simply because it was removed successfully from the dispatching table. Other threads may still be dispatching events on an older copy of the dispatching table, and thus still have a reference to the object. Therefore, objects in the dispatching table copy must be marked “in use” until all dispatching loops using it complete.

Consequences. This pattern allows multiple events or requests to be dispatched concurrently. In addition, it permits recursive operations from within application upcalls that can modify the dispatching table, either by inserting or removing objects.

However, making copies of the dispatching table does not scale well, when (1) the table is large, (2) memory allocation is expensive, or (3) object life-cycle management is costly.

In this case, other patterns, such as the Thread-Specific Storage [8] that eliminates locking overhead, can be used to minimize these costs, thereby making the Copy-then-Dispatch pattern applicable for systems that have small dispatching tables.

3.2.2 Copy-On-Demand

Context. As in Section 3.2.1, an event or request must be dispatched to multiple objects concurrently.

Problem. Making copies of the dispatching table is expensive and non-scalable.

Forces. Changes to the dispatching table are infrequent. The dispatching table does not provide robust iterators [20] or the iterators are not thread-safe. In addition, there are no stringent real-time requirements.

Solution. Copy the table on-demand, as shown in Figure 8. When starting an iteration, a counter flag is incremented to in-

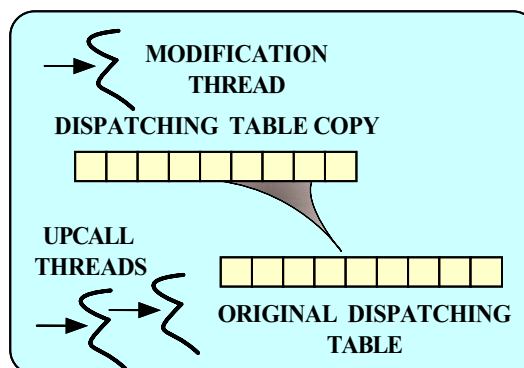


Figure 8: Copy-On-Demand

dicating that a thread is using the table. If a thread wishes to modify the table it must *atomically* (1) make a copy of the dispatching table, (2) make the modification on the copy, and (3) replace the reference to the old table with a reference to the new one. When the last thread using the original dispatching table finishes its iteration, the table must be deallocated. In programming languages that lack garbage collection, a simple reference count can be used to accomplish this memory allocation strategy.

Consequences. Since the solution does not copy the dispatching table when initiating the dispatch loop, the Copy-On-Demand pattern improves the dispatch latency when compared to Copy-then-Dispatch pattern described in Section 3.2.1. Note that locks are not held while executing the upcalls. Thus, an application upcall can invoke recursive operations without risking deadlock.

One downside with this pattern is that it acquires the lock at least twice. The first acquisition occurs when the table state is updated to indicate the start of an iteration. The second

acquisition indicates the end of the same iteration. Thus, when there is little or no contention, this solution is slightly more expensive than simply holding a lock over the entire dispatch loop.

Moreover, when threads contend to initiate a dispatch iteration, some priority inversion may occur. Since the lock is held for a short and fixed period of time, however, the priority inversion is bounded. In contrast, when a thread makes changes to the dispatching table, the amount of time for which it holds the lock depends on the size of the table, which may result in longer priority inversions. Thus, this pattern may be unsuitable for distributed real-time and embedded systems with stringent timing requirements.

3.2.3 Asynchronous-Change Commands

Context. An application with stringent real-time requirements where events or requests must be dispatched to multiple objects concurrently.

Problem. Modifications to the dispatching table must be serialized. However, the amount of time locks are held must be bounded to minimize priority inversions.

Forces. Upcalls are executed in the same thread that dispatches the event. The application can add and remove objects from the dispatching table dynamically.

Solution. Postpone changes to the dispatching table while threads are dispatching upcalls. Before iterating over the dispatching table, the dispatching thread atomically increments a counter that indicates the number of threads iterating over the dispatching table currently. When an iteration completes, it decrements the counter atomically. If a change is requested while the dispatching table is “busy,” the request is converted into a Command Object [9], as shown in Figure 9, and queued

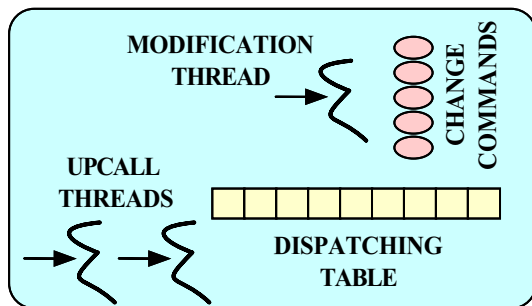


Figure 9: Asynchronous-Change Commands

to be executed when the dispatching table becomes “idle,” *i.e.*, when no more dispatching threads are iterating over the table.

Consequences. Queueing a change to the dispatching table requires a bounded amount of time, thus preventing unbounded priority inversions. For similar reasons, this solution

does not deadlock when upcalls request modifications since they are simply queued.

There is, however, a more subtle priority inversion in this Asynchronous-Change Command pattern implementation. A high-priority thread can request a modification, but the modification will not occur until the potentially lower priority threads have finished dispatching events. In many systems this is an acceptable tradeoff since priority inversions must be avoided in the critical path, *i.e.*, the dispatching path.

In addition, it is hard to ascertain when requested modifications actually occur because they execute asynchronously. Likewise, it is hard to report errors when executing change requests because the thread requesting the change does not wait for operations to complete.

Table 2 summarizes the different patterns for dispatching to multiple objects and compares their relative strengths and weaknesses.

Pattern	Times lock acquired	Nested upcalls	Priority Inversion	Appropriate when
Copy-then Dispatch	2	Yes	Unbounded	Small dispatch table
Copy-on Demand	2	Yes	Unbounded	Rare table modifications
Asynchronous-Changes	2	Yes	Bounded	Predictable behavior

Table 2: Summary of Dispatching to Single Object

4 Concluding Remarks

This paper describes a pattern language for developing and selecting appropriate solutions to common problems encountered when developing efficient, scalable, predictable, and flexible dispatching components. This pattern language is part of ongoing efforts [10, 8, 21, 22] to develop a handbook of patterns for developing DOC middleware for distributed real-time and embedded (DRE) systems. Patterns help middleware researchers and developers reuse successful strategies and practices. Moreover, they help developers communicate and reason more effectively about what they do and why they use particular designs and implementations. In addition, patterns are a step towards an engineering handbook for DOC middleware.

The pattern language presented in this paper has been applied to the TAO real-time ORB [2] on a range of DRE systems, including the Boeing Bold Stroke avionics mission computing system [15, 23, 24, 4, 5], and the SAIC Run Time Infrastructure (RTI) implementation [6, 7] for the Defense Modeling and Simulation Organization’s (DMSO) High Level Architecture (HLA) [25]. The source code and documentation for the TAO ORB and its Event

and Notification Services are freely available from URL www.dre.vanderbilt.edu/TAO.

References

- [1] Object Management Group, *Real-time CORBA Specification*, OMG Document formal/02-08-02 ed., Aug. 2002.
- [2] D. C. Schmidt, D. L. Levine, and S. Mungee, "The Design and Performance of Real-Time Object Request Brokers," *Computer Communications*, vol. 21, pp. 294–324, Apr. 1998.
- [3] D. C. Schmidt and C. O’Ryan, "Patterns and Performance of Real-time Publisher/Subscriber Architectures," *Journal of Systems and Software, Special Issue on Software Architecture - Engineering Quality Attributes*, 2002.
- [4] D. C. Sharp and W. C. Roll, "Model-Based Integration of Reusable Component-Based Avionics System," in *Proceedings of the Workshop on Model-Driven Embedded Systems in RTAS 2003*, May 2003.
- [5] W. Roll, "Towards Model-Based and CCM-Based Applications for Real-Time Systems," in *Proceedings of the International Symposium on Object-Oriented Real-time Distributed Computing (ISORC)*, (Hakodate, Hokkaido, Japan), IEEE/IFIP, May 2003.
- [6] C. O’Ryan, D. C. Schmidt, D. Levine, and R. Noseworthy, "Applying a Scalable CORBA Events Service to Large-scale Distributed Interactive Simulations," in *Proceedings of the 5th Workshop on Object-oriented Real-time Dependable Systems*, (Monterey, CA), IEEE, Nov. 1999.
- [7] R. Noseworthy, "IKE 2 – Implementing the Stateful Distributed Object Paradigm," in *5th IEEE International Symposium on Object-Oriented Real-Time Distributed Computing (ISORC 2002)*, (Washington, DC), IEEE, Apr. 2002.
- [8] D. C. Schmidt, M. Stal, H. Rohnert, and F. Buschmann, *Pattern-Oriented Software Architecture: Patterns for Concurrent and Networked Objects, Volume 2*. New York: Wiley & Sons, 2000.
- [9] E. Gamma, R. Helm, R. Johnson, and J. Vlissides, *Design Patterns: Elements of Reusable Object-Oriented Software*. Reading, MA: Addison-Wesley, 1995.
- [10] F. Buschmann, R. Meunier, H. Rohnert, P. Sommerlad, and M. Stal, *Pattern-Oriented Software Architecture—A System of Patterns*. New York: Wiley & Sons, 1996.
- [11] I. Pyrali and D. C. Schmidt, "An Overview of the CORBA Portable Object Adapter," *ACM StandardView*, vol. 6, Mar. 1998.
- [12] Object Management Group, *The Common Object Request Broker: Architecture and Specification*, 3.0.2 ed., Dec. 2002.
- [13] Object Management Group, *Event Service Specification Version 1.1*, OMG Document formal/01-03-01 ed., Mar. 2001.
- [14] Object Management Group, *Notification Service Specification*. Object Management Group, OMG Document formal/2002-08-04 ed., Aug. 2002.
- [15] T. H. Harrison, D. L. Levine, and D. C. Schmidt, "The Design and Performance of a Real-time CORBA Event Service," in *Proceedings of OOPSLA '97*, (Atlanta, GA), pp. 184–199, ACM, Oct. 1997.
- [16] C. Alexander, S. Ishikawa, M. Silverstein, M. Jacobson, I. Fiksdahl-King, and S. Angel, *A Pattern Language*. New York, NY: Oxford University Press, 1977.
- [17] Paul E. McKinney, "Selecting Locking Designs for Parallel Programs," in *Pattern Languages of Program Design 2* (J. O. Coplien, J. Vlissides, and N. Kerth, eds.), Reading, Massachusetts: Addison-Wesley, 1996.
- [18] D. C. Schmidt, "An OO Encapsulation of Lightweight OS Concurrency Mechanisms in the ACE Toolkit," Tech. Rep. WUCS-95-31, Washington University, St. Louis, Sept. 1995.
- [19] I. Pyrali, C. O’Ryan, D. C. Schmidt, N. Wang, V. Kachroo, and A. Gokhale, "Applying Optimization Patterns to the Design of Real-time ORBs," in *Proceedings of the 5th Conference on Object-Oriented Technologies and Systems*, (San Diego, CA), pp. 145–159, USENIX, May 1999.
- [20] T. Kofler, "Robust Iterators for ET++," *Structured Programming*, vol. 14, no. 2, pp. 62–85, 1993.
- [21] M. Kircher and P. Jain, *Pattern-Oriented Software Architecture, Volume 3: Patterns for Resource Management*. Wiley and sons, 2004.
- [22] C. Gill and L. DiPippo, *Design Patterns for Distributed Real-Time Systems*. Norwell, Massachusetts: Kluwer Academic Publishers, 2005 (to appear).
- [23] Christopher D. Gill et al., "Applying Adaptive Real-time Middleware to Address Grand Challenges of COTS-based Mission-Critical Real-Time Systems," in *Proceedings of the 1st IEEE International Workshop on Real-Time Mission-Critical Systems: Grand Challenge Problems*, Nov. 1999.
- [24] B. S. Doerr, T. Venturella, R. Jha, C. D. Gill, and D. C. Schmidt, "Adaptive Scheduling for Real-time, Embedded Information Systems," in *Proceedings of the 18th IEEE/AIAA Digital Avionics Systems Conference (DASC)*, Oct. 1999.
- [25] F. Kuhl, R. Weatherly, and J. Dahmann, *Creating Computer Simulation Systems*. Upper Saddle River, New Jersey: Prentice Hall PTR, 1999.